



RSS Transmitter with Pure Signal technology

Rapid Shutdown Activator

The Tigo Rapid Shutdown System (RSS) Transmitter is a part of Module Level rapid shutdown solution when paired with Tigo Module Level Power Electronics (MLPE). The RSS Transmitter can link multiple RSS transmitters together, this enables Tigo's Pure Signal Technology, providing one coordinated keep-alive signal to the array.

Features

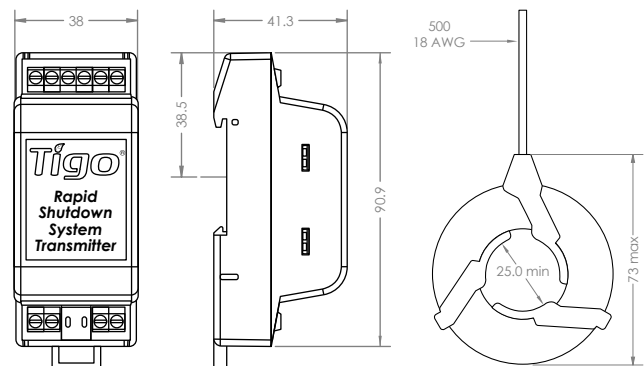
- PLC Communication
- Scalable from residential to large utility projects
- Patented Pure Signal Technology for multiple transmitters
- Configurable with one or two RSS Cores
- Bi-colored core ensures accurate signal directionality

Benefits

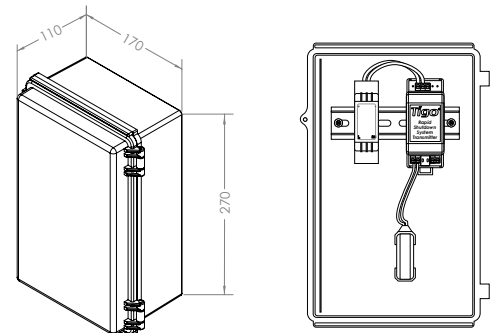
- Meets NEC 690.12 2014, 2017, and 2020 requirements
- Automatic or manual shutdown
- Reduce balance of system cost
- Easy and fast to install
- Compatible with majority of the inverters in the market

Dimensions

Dimensions (W x D x H)	38 x 41.3 x 90.9 mm (1.5 x 1.63 x 3.58in)
------------------------	--



Outdoor Enclosure (optional)	
Dimensions (W x D x H)	170 x 110 x 270 mm (6.69 x 4.33 x 10.63in)



Input

Transmitter Input Voltage	12V _{DC} (+/- 2%)
Transmitter Input Current	1A
Power consumption (Max/Average)	5.5W/0.85W

RSS Core

Max Current	150A per RSS Core (Single Core: 150A, Dual Core: 300A)
Max String Voltage	1500V _{DC}
Max Number of Strings per Core	10
Max Supported PV Modules per String	30

Environmental

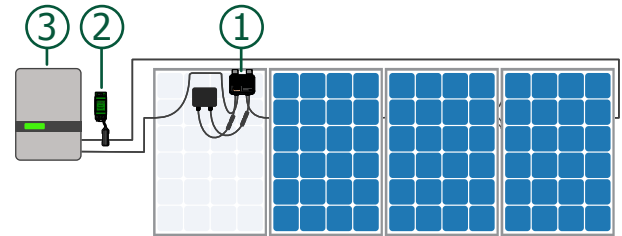
Operating Temperature Range	-40°C to +85°C (-40°F to +185°F)
Outdoor Enclosure Temperature Range (optional)	-20°C to +50°C (-4°F to +122°F)
Enclosure Rating (optional)	IP68, NEMA 4

Ordering Options

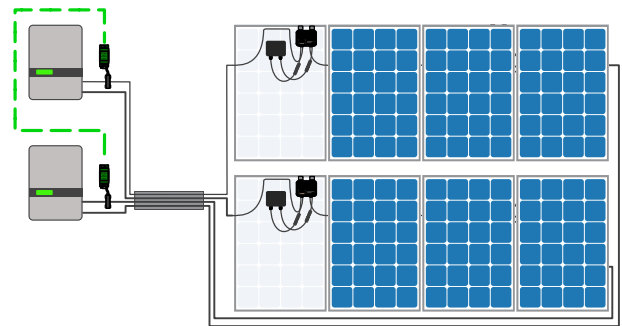
Item #	Description
490-00000-51	Single Core, Pure Signal RSS Transmitter, Din Rail (no PS or enclosure)
490-00000-52	Dual Core, Pure Signal RSS Transmitter, Din Rail (no PS or enclosure)
492-00000-51	Single Core, Pure Signal RSS Transmitter, Din Rail, 120/240VAC PS, Outdoor Enclosure kit
492-00000-52	Dual Core, Pure Signal RSS Transmitter, Din Rail, 120/240VAC PS, Outdoor Enclosure kit
493-00000-52	Dual Core, Pure Signal RSS Transmitter, Din Rail, Commercial 480/277VAC PS (no enclosure)

System Components:

1. Modules equipped with Tigo MLPE
2. Tigo RSS Transmitter and RSS Core
3. Inverter



Typical Multi-Inverter Application



Photovoltaic Rapid Shutdown System Equipment, QIJW

Additional resources



tigoenergy.com

PN: 002-00096-00 | Rev. 1.1 | 2023.02.16